

AFRAME 1200MM

Table & Bar Frames

ORIGIN: China **USE:** Indoor **WARRANTY:** 12 Months

DIMENSIONS:

H730mm



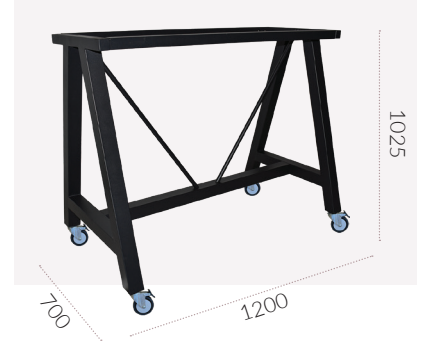
 22 kg

H900mm



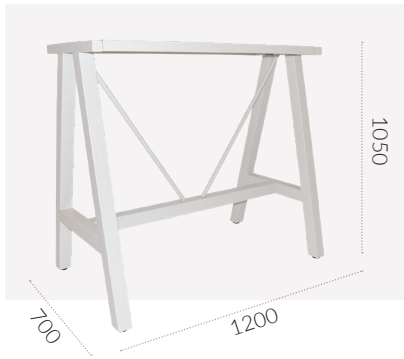
 22.2 kg

H1025mm



 26.2 kg

H1050mm



 24.2 kg

CODES:

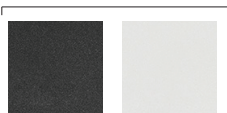
Black - KBBAF12073BK
White - KBBAF12073WH

Black - KBBAF12090BK
White - KBBAF12090BKCA

Black - KBBAF120105BK
White - KBBAF120105WH

FINISHES:

Mild Steel



Black White

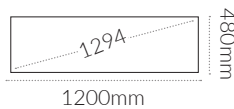
AFRAME 1200MM

Table & Bar Frames

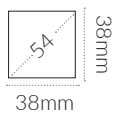
SPECIFICATIONS:

Top Brace:

Hole Depth: 38mm



Square: 38 x 38mm



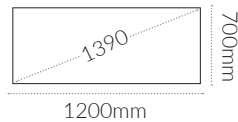
Assembly:

[Standard Instructions -->](#)

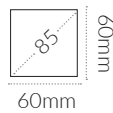
[Castor Instructions -->](#)

Frame:

Steel Gauge: 1.5mm



Legs Square: 60mm

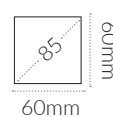


Brace Diameter: 20mm



Feet:

Footrail Square: 60mm



Adjustable Footglides:



Thread: M8
Length: 15mm

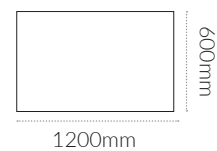
Castors:



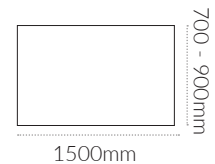
Thread: M12
Length: 10mm

Top:

Minimum:



Overhang:



PRODUCT MAINTENANCE:

Powdercoated Mild Steel:

1. Regularly dust surface with damp cloth.
2. Wash with a soft cloth and warm soapy water.
3. Always dry with a lint free cloth.

DO NOT: Use abrasive pads, brushes, or cleaners like steel wool, as it will scratch the surface.

DO NOT: Use powder, concentrated detergents, or silicone-based furniture polishes.

NOTE: Chipping and breaking of the coating may result in deterioration of the product and should be addressed.